

### About Product

IDEA generator sets are designed to be used as backup or continuous power supply. They are subjected to detailed load and performance tests in our production facilities in order to provide ideal performance and safe usage.



### Power Output Values

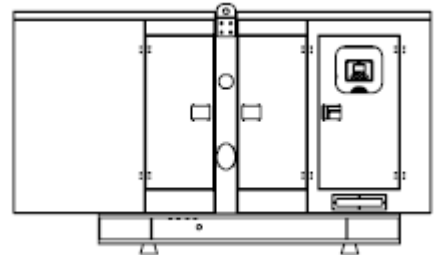
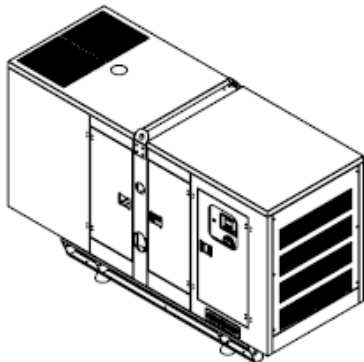
Voltage	Standby Power (ESP)			Prime Power (PRP)		
	kVA	kW	Ampere	kVA	kW	Ampere
400/231	<b>1350 kVA</b>	1080 kW	1950	<b>1250 kVA</b>	1000 kW	1806

**Standby Power (ESP)** : This rating is for the supply of continuous electrical power at variable load , in the event of utility power failure. No overload is permitted.

**Prime Power (PRP)** : This rating is for the supply of continuous electrical power at variable load. There is no limitation on the annual hours in operation and 10% overload power can be supplied for 1 hour in 12.

### Weight And Dimensions

Type	Width x Length x Height (mm)	Weight (kg)	Fuel Tank (Lt)	Sound dB(A) @1mt
Open	2050x4500x2450 mm	9420 kg	TBA	TBA
Soundproofed	2470x6080x2900 mm	13180 kg	TBA	TBA



### Engine

Frequency		50 Hz
Output Rating	kW	1224
Manufacturer and Model		Perkins 4012-46TWG2A
Fuel		Diesel
Injection		Direct
Aspiration		Turbocharged and Aircooled
Cylinders		12
Bore and Stroke	mm	160 x 190
Displacement	lt	45,8
Cooling		Water
Engine Oil Specification		SAE 15W40
Compression Ratio		13,6:1
Engine Oil Capacity	lt	177
Coolant Capacity (incl.radiator)	lt	201
Governor		Electronical
Air Filter		Dry element
<b>FUEL CONSUMPTION</b>		
100 % Load	lt/h	259
75 % Load	lt/h	196
50 % Load	lt/h	143
<b>EXHAUST SYSTEM</b>		
Maximum Temperature	°C	422
Exhaust Gas Flow	m <sup>3</sup> /min	180
Maximum Allowed Back Pressure	kPA	5
Exhaust Flange Size (Internal Dia.)	mm	254
<b>AIR SYSTEM</b>		
Intake Air Flow	m <sup>3</sup> /min	109
Total Cooling Air Flow	m <sup>3</sup> /min	1680
<b>STARTING SYSTEM</b>		
Starter Motor	kW	16,4
Battery Capacity	Ah	4x200
Auxiliary Voltage	V	24

### Alternator

Poles		4 pole
Winding Connections		Star
Insulation		Class H
Enclosure		IP23
Exciter System		Self regulating Brushless
Voltage Regulator		AVR
Steady State Voltage Regulation		± 1 %
Bearing		Single bearing sealed
Coupling		Flexible disc
Cooling		Direct drive centrifugal blower fan



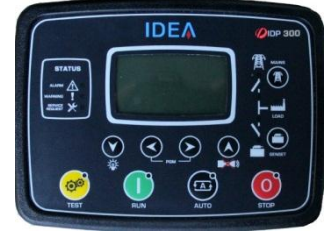
### Control Panel IDP300

The new IDP300 genset controller is a cost effective modular genset controller ready for internet monitoring through plug-in modules.

Its main advantages are multifunctionality, support for multiple topologies, harmonic analysis and detailed power measurements.

Software features are complete with easy firmware upgrade through USB port. The Windows based PC software allows monitoring and programming through USB, RS-485, RS-232, Ethernet and GPRS.

The Rainbow Scada web service allows monitoring and control of an unlimited number of gensets from a single central location.



### Optional Equipments

Some Optional Equipment IDEA Provides with Generator Sets;

- Remote radiator applications,
- Automatic fuel filling system,
- Fuel tank, oil pan, instrument panel, alternator, coil heaters,
- Synchronization systems,
- Generator output fuse,
- Mains generator transfer switches,
- Seismic solutions,
- Remote monitoring
- Other requested solutions

### Reference Standards

IDEA Generator Sets are CE approved and comply with the following standards;

- Power according to ISO 3046 and ISO 8528
- EN 12100 , EN 13857 , EN 60204
- 2006/42/CE Machinery Safety
- 2006/95/EC Low Voltage
- 2004/108/CE EMC
- Ambient reference conditions 1000 mbar, 25 °C, 30 % relative humidity ISO8528

All the information in this leaflet is intended for general purposes only. IDEA reserves the right to change the specifications without notice.

